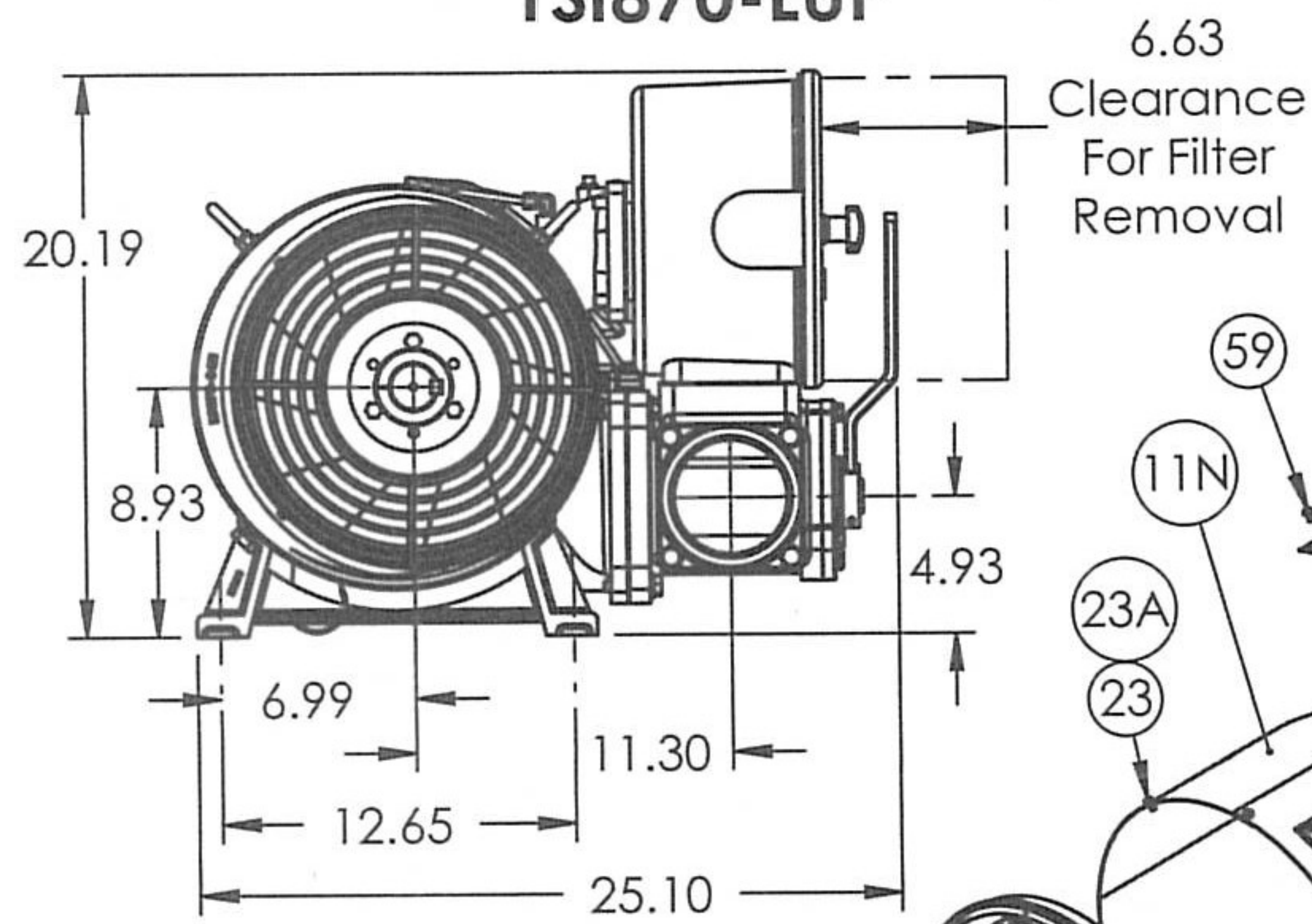
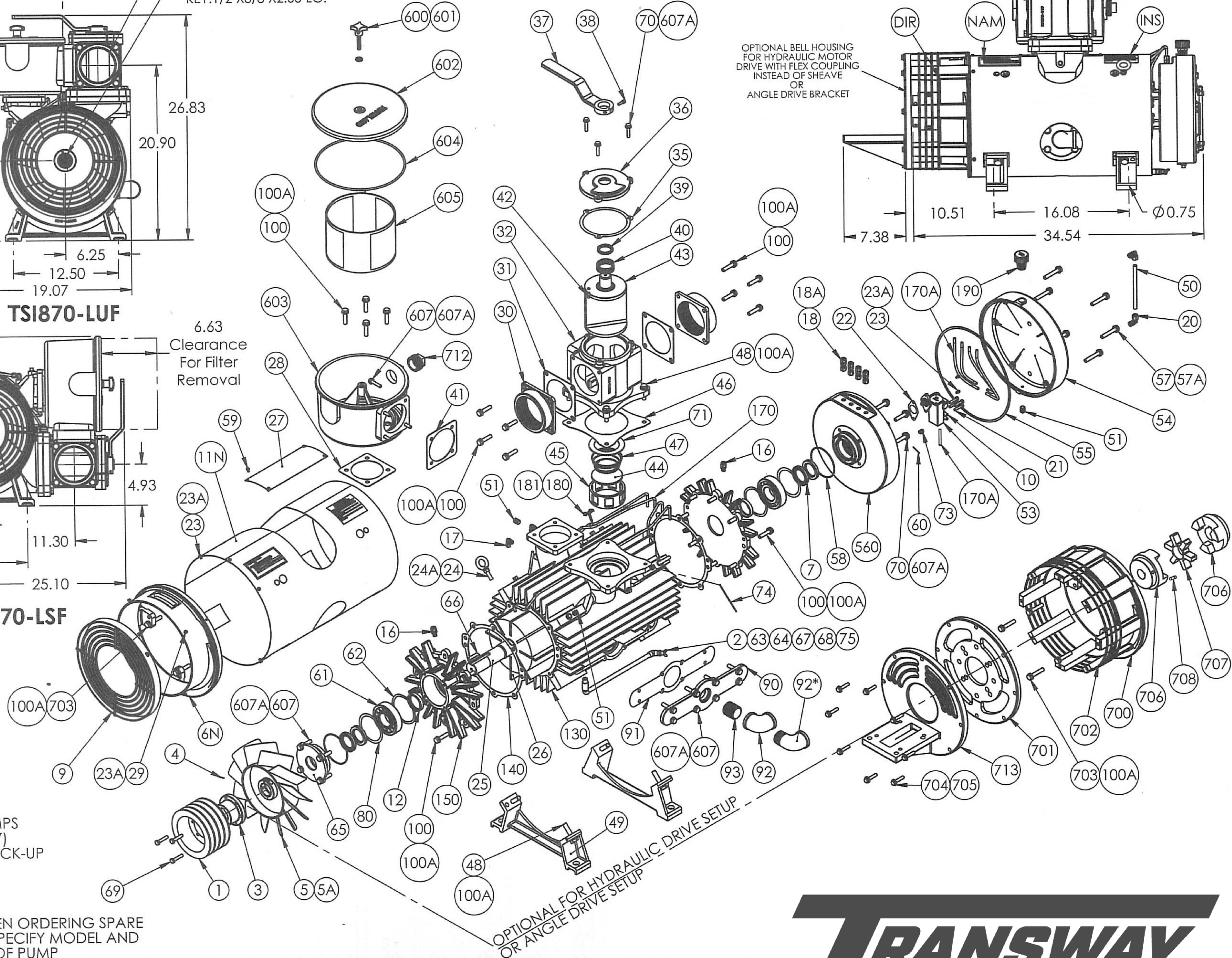


TSI870-LUF



TSI870-LSF

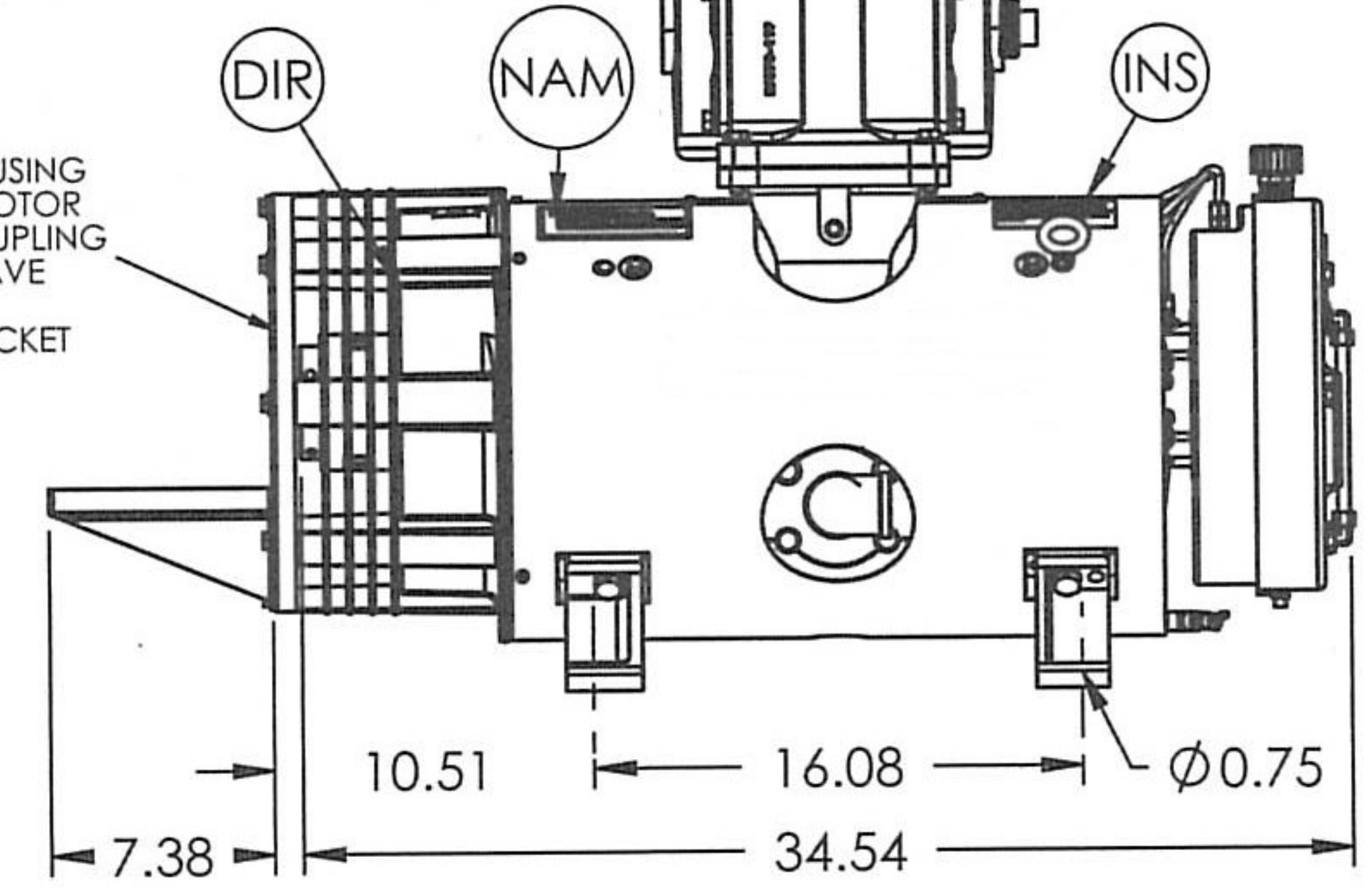
TSI870-(LUF, LUFH, LUFA, LSFH, LSFA)



SHOWN: COUNTER
CLOCKWISE (LH) ROTATION TOP
MOUNT VALVE FILTER MODE

DIR :DIRECTION TAG
NAM :NAME PLATE
INS :INSTRUCTION TAG

OPTIONAL BELL HOUSING
FOR HYDRAULIC MOTOR
DRIVE WITH FLEX COUPLING
INSTEAD OF SHEAVE
OR
ANGLE DRIVE BRACKET



OPTIONAL FOR HYDRAULIC DRIVE SETUP
OR ANGLE DRIVE SETUP

ON UPRIGHT PUMPS
NO SPRING (IT. 47)
IS USED IN THE BACK-UP
VALVE ASSY.

IMPORTANT: WHEN ORDERING SPARE
PARTS ALWAYS SPECIFY MODEL AND
SERIAL NUMBER OF PUMP

