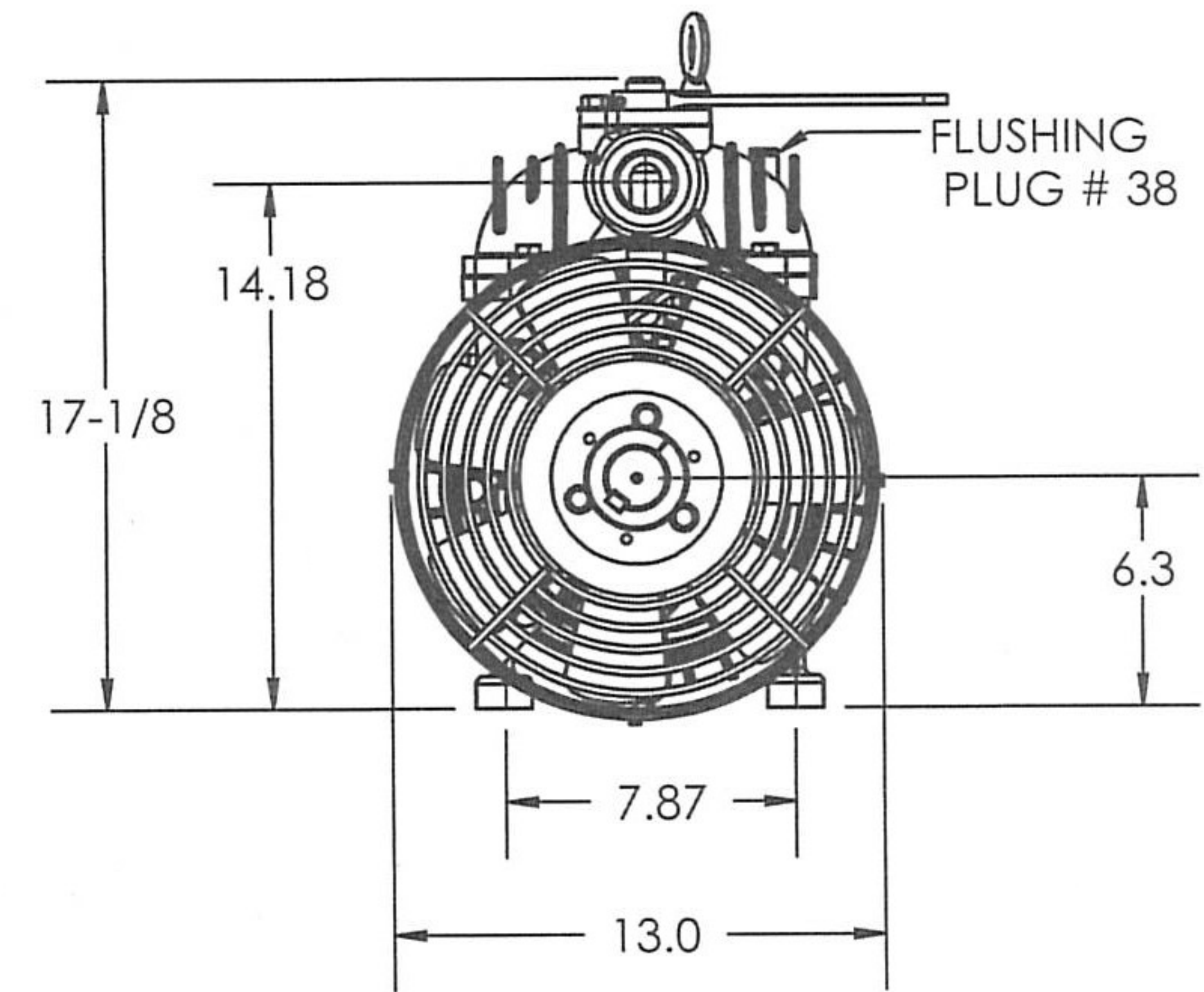
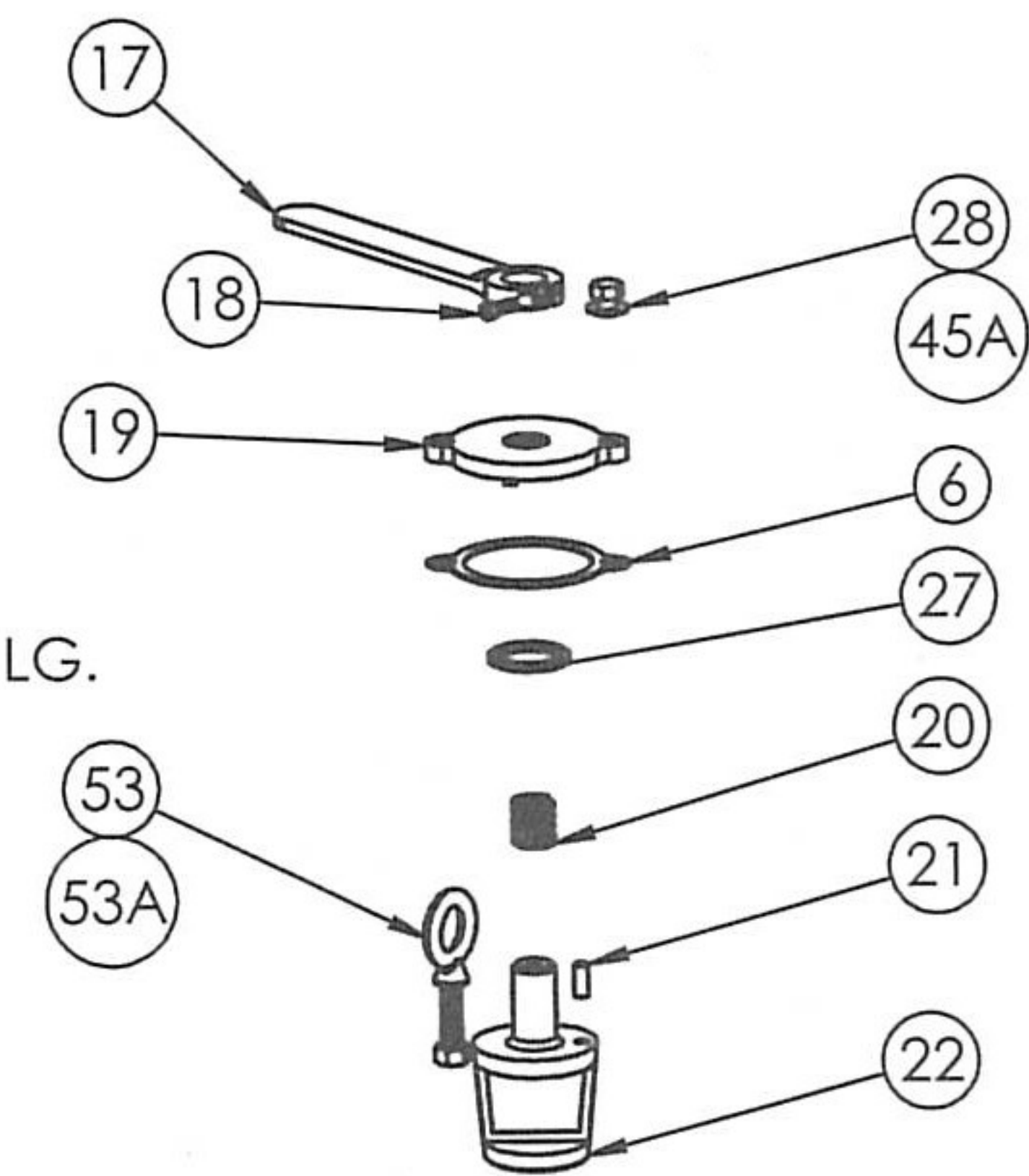
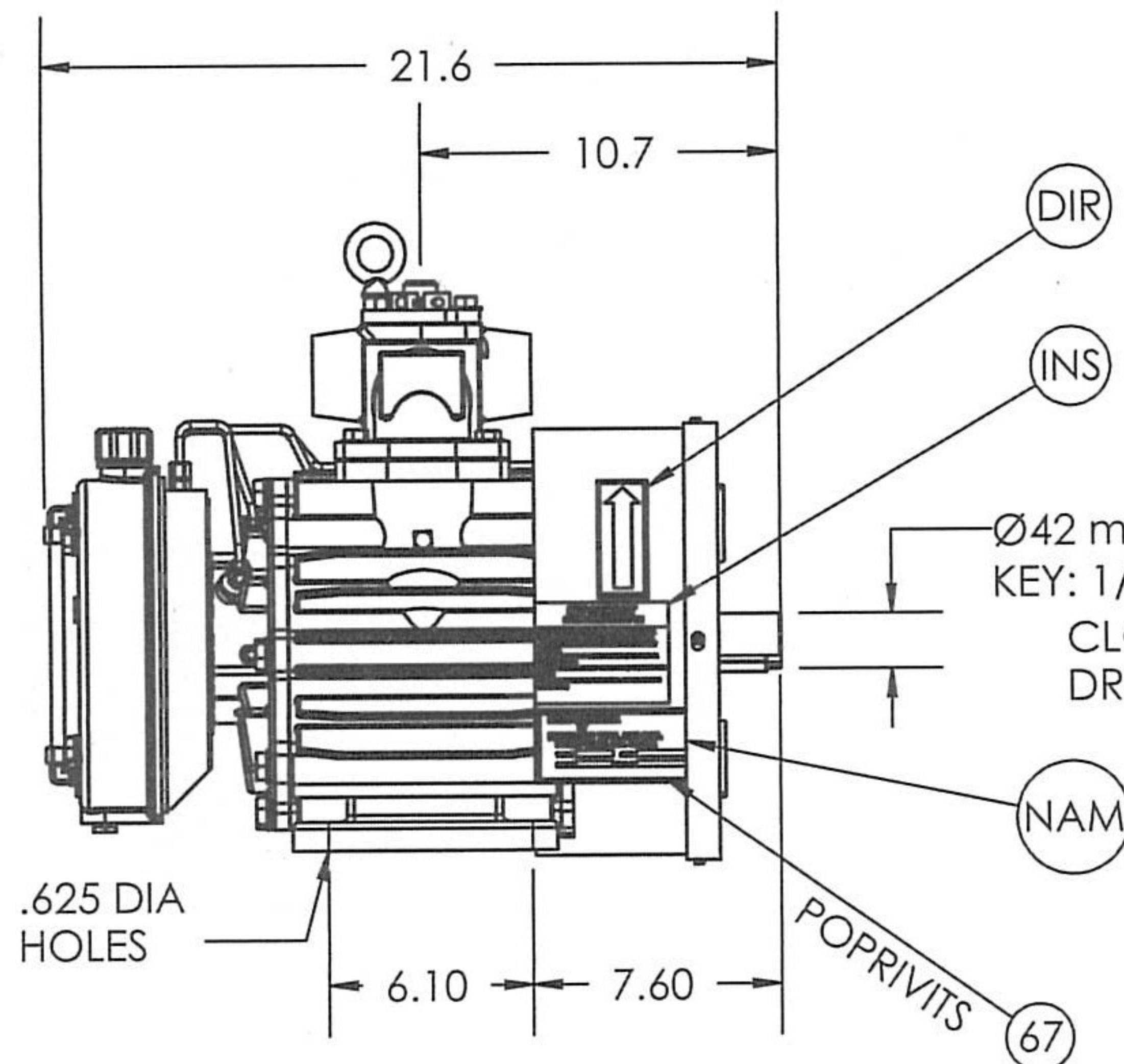
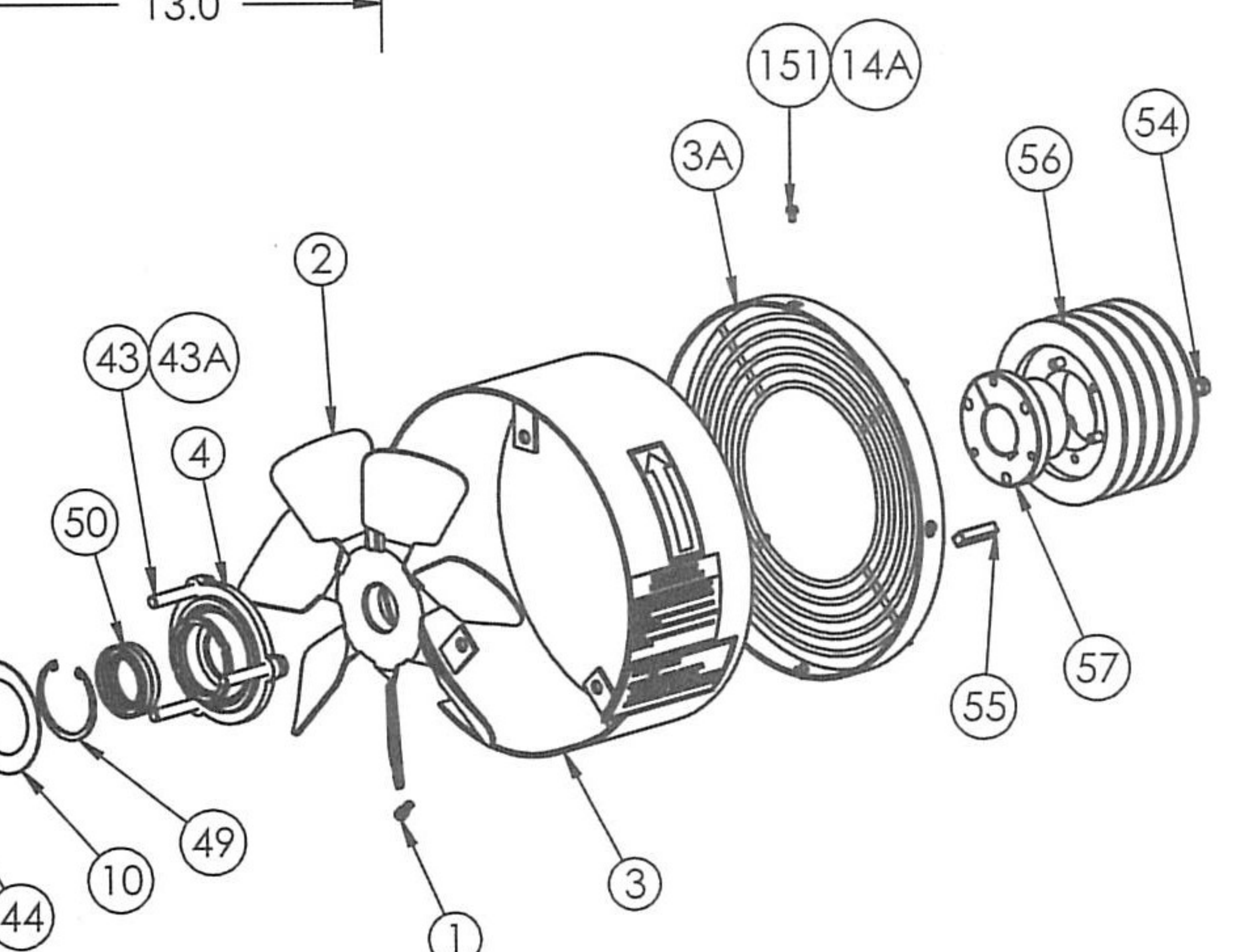
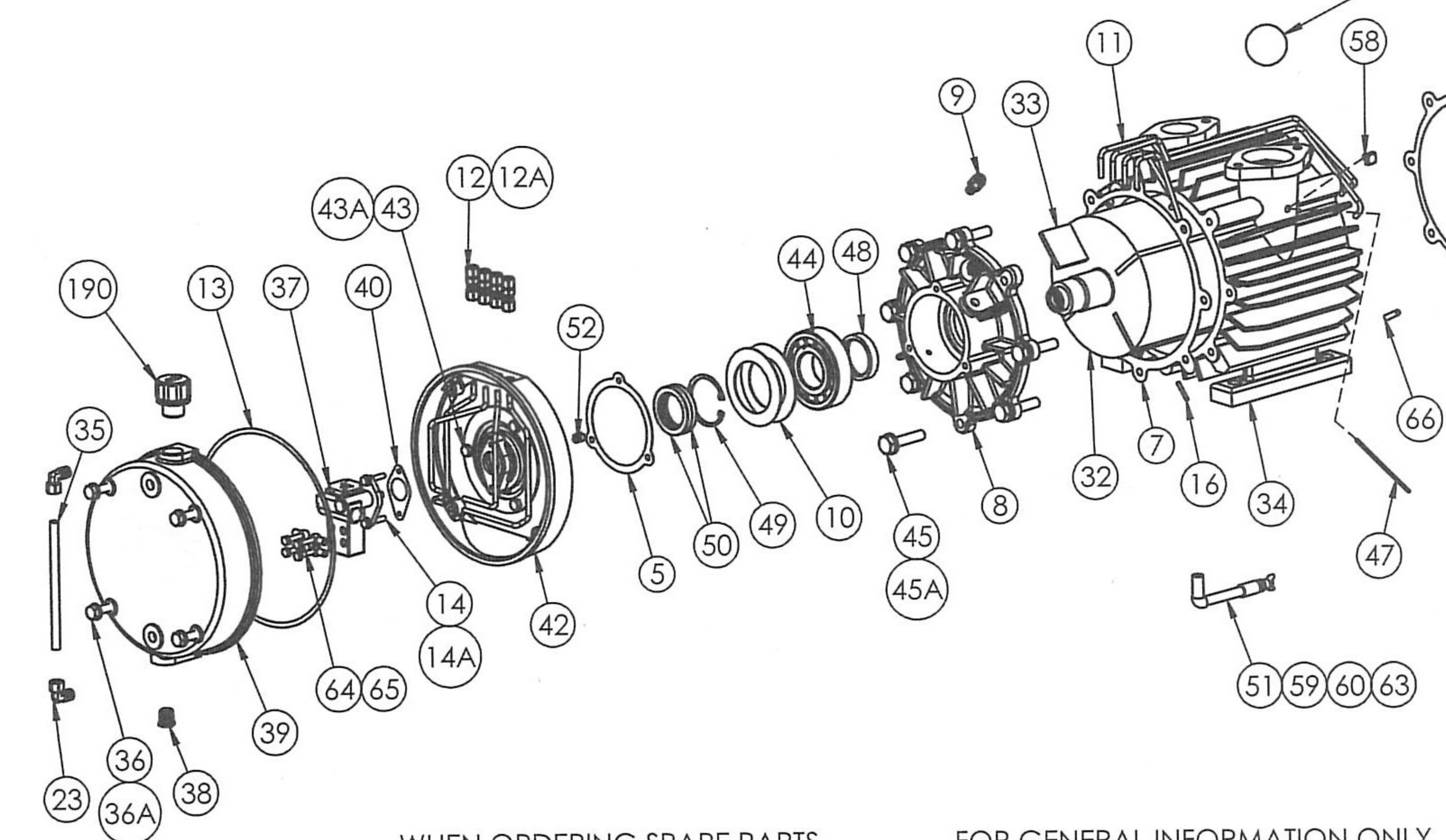
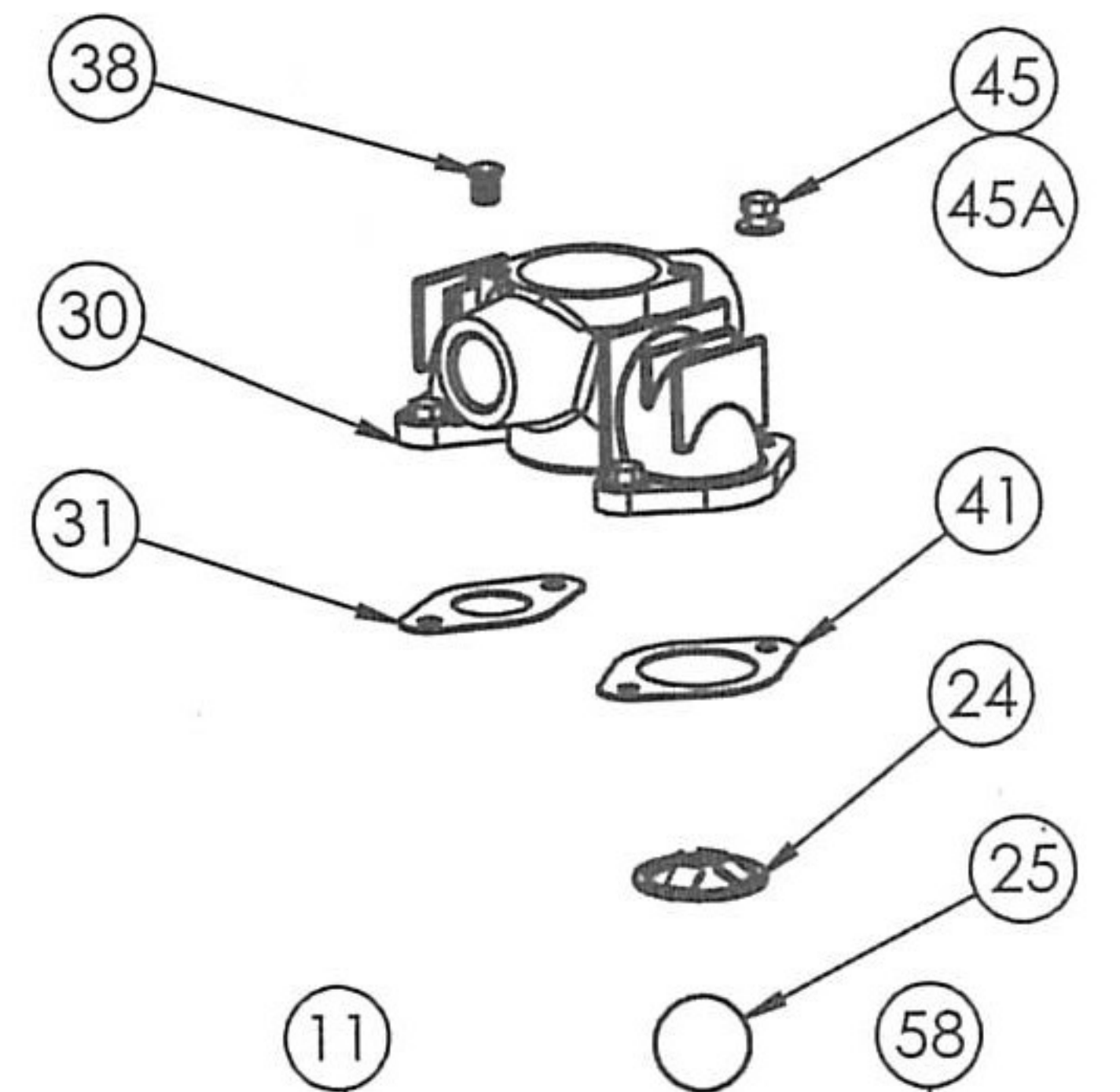


TSI 250



PULLEY DRIVE
3 OR 2 GROOVE 6"
"B" BELT



WHEN ORDERING SPARE PARTS
ALWAYS STATE MODEL AND
SERIAL NUMBER OF PUMP.

FOR GENERAL INFORMATION ONLY
WE RESERVE THE RIGHT TO MAKE
CHANGES

DCR# 493, REV 1, SOLIDWORKS UPDATE, 04/03/2012, F.H
DCR# 575, REV 2, UPDATED ITEM NUMBERS, 07/10/2014 K.A.

